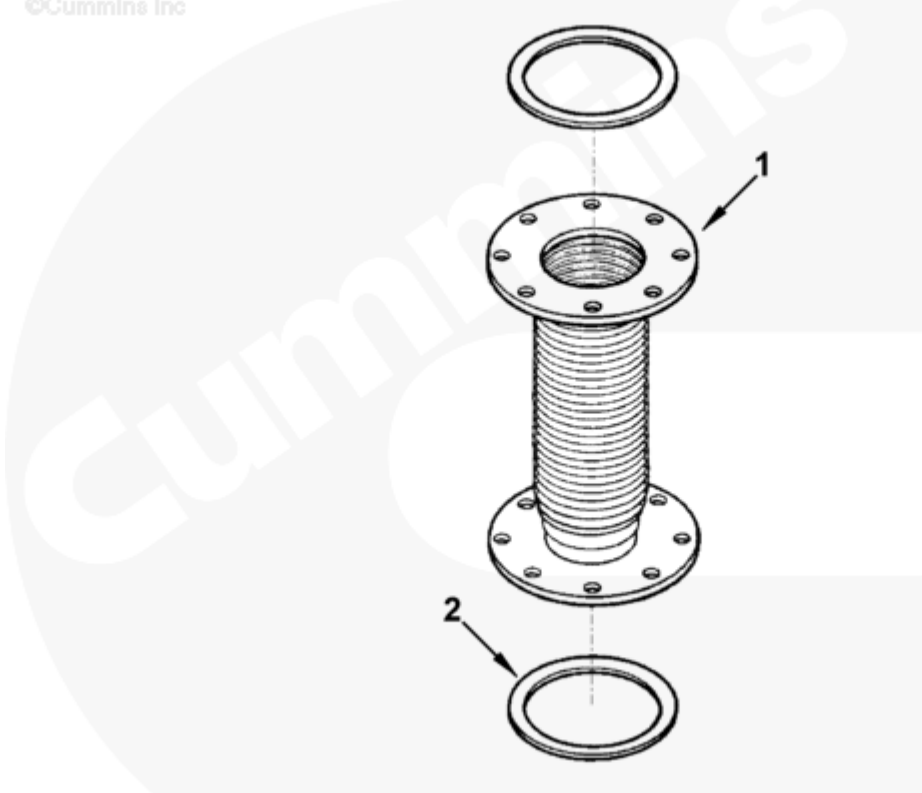




Parts Catalog - Option Detail

| Electronic Parts Catalog - Option Detail | | | | |
|--|---|---------|-----------|-----------|
| Option | Group | Graphic | Film Card | Date |
| XS8060 | 11.01.1 | xs400gn | K38 | 26-MAR-91 |
| Engines | GTA38, K38, KTA38GC CM558, QSK38 CM2150 K106, QSK38 CM2150 MCRS, QSK38 CM850 MCRS | | | |

©Cummins Inc



xs400gn

[SMALL](#) | [MEDIUM](#) | [LARGE](#)

| Cart | Ref No | Part Number | Part Description | Required | Remarks |
|---|--------|------------------------|--------------------|----------|--|
| <input type="button" value="View My Cart"/> | | | | | |
| | | XS8060 | Exhaust Connection | | Two 6inch diameter flexible...(More) |
| | | | | | exhaust tubes with steel |
| | | | | | liners, 18inches long, with |
| | | | | | integral 8 bolt flanges to |
| | | | | | ASA 125 pound pipe flange |
| | | | | | standard. Supplied in the |
| | | | | | kit. |

| | | | | | |
|--------------------------|---|-------------------------|---------------------------|---|--|
| <input type="checkbox"/> | 1 | 3020988 | Exhaust Outlet Connection | 2 | |
| <input type="checkbox"/> | 2 | 3036378 | Flange Gasket | 4 | |

© 2019 Cummins Inc., Box 3005, Columbus, IN 47202-3005 U.S.A.
Terms of Use and Disclaimers | Recommended System Requirements
Need Assistance? Please click on the Contact Us button in the top right corner of any page.